



OTOMOTION SYSTEMS ENGINEERING A.S.

İkitelli Org.San.Blg. Triko Center M6 Blok No:118-104
34306 Başakşehir / İSTANBUL
Phone : +90 212 671 80 57
Fax : +90 212 671 80 58

Customer OTOMOTION SYSTEMS ENGINEERING A.S.
Project Description PARISON CONTROLLER
Job Number 2019 / 1
Commission

Project Name PARISON CONTROLLER
Voltage / Power
Type
Responsible For Project ŞEVKET BİLGİÇ
Responsible For Machine İSA KİBAROĞLU

Project Start Date 06.05.2019
Modification Date 02.08.2019

Total Page 8

Tarih	02.08.2019
Kyt.	Proje
Apr.	
Orjinal	

PARISON CONTROLLER
PARISON CONTROLLER



COVER PAGE

Proje Sorumlusu Onay

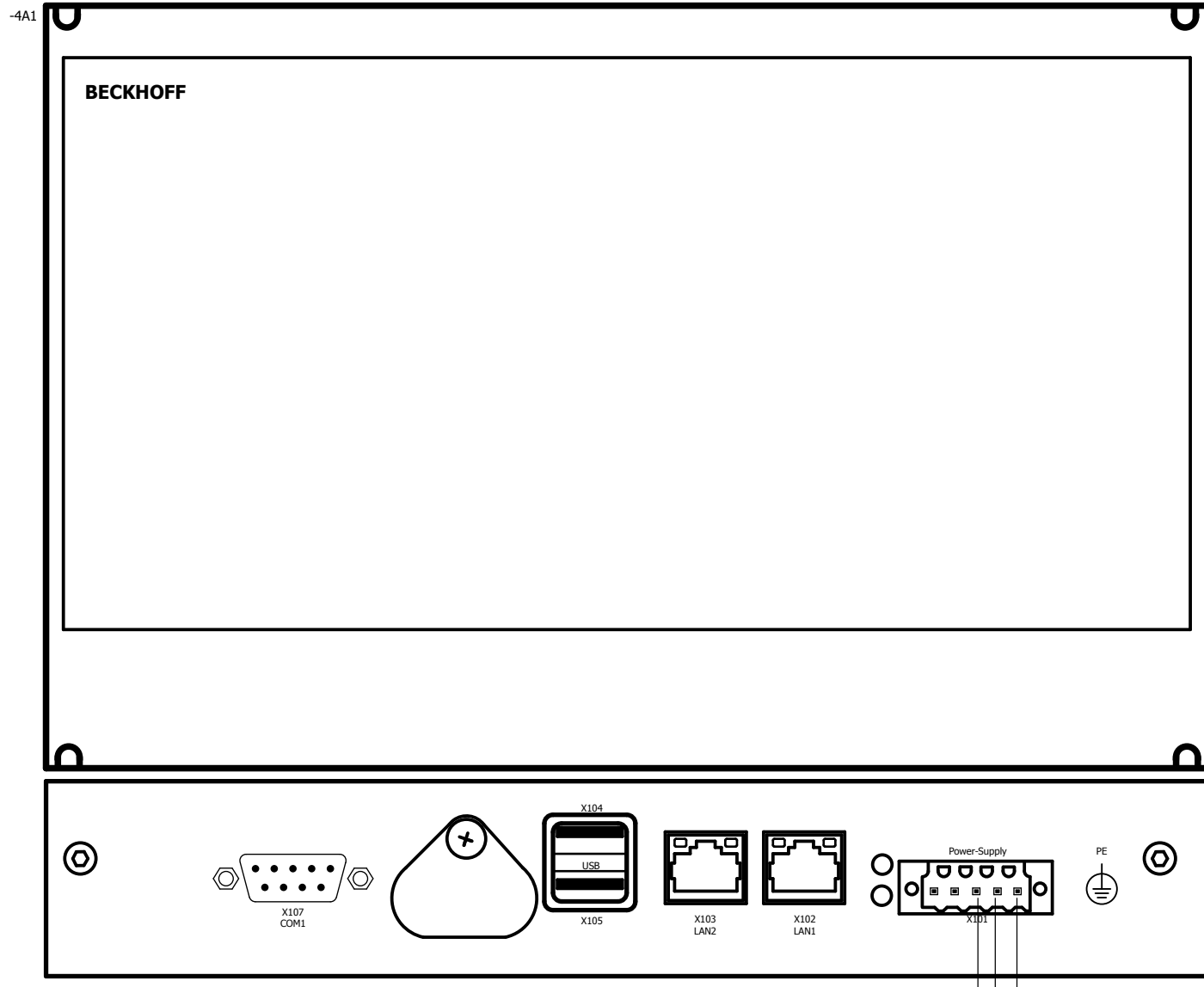
=

+

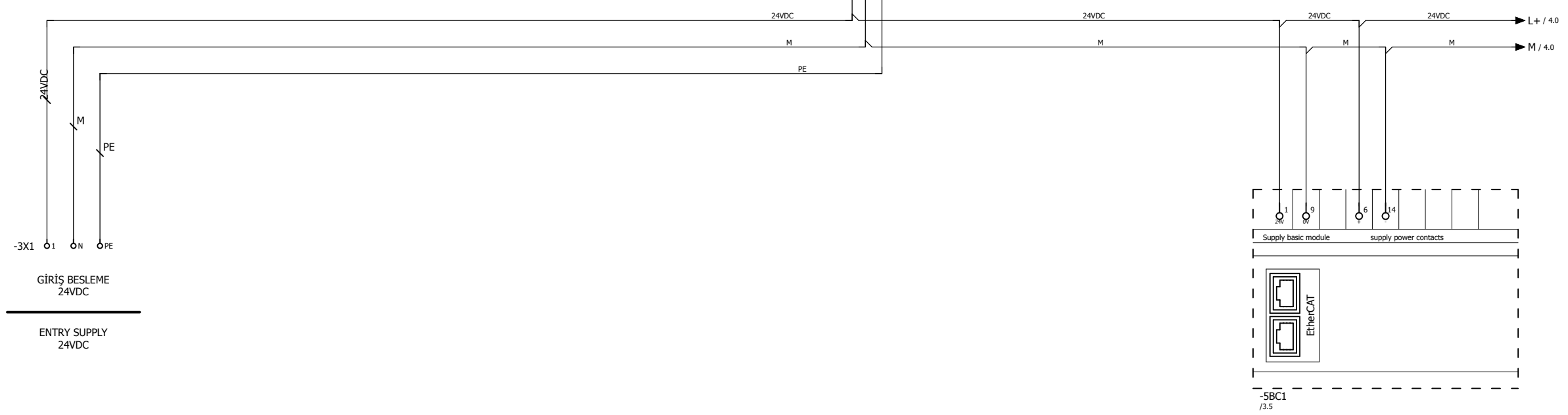
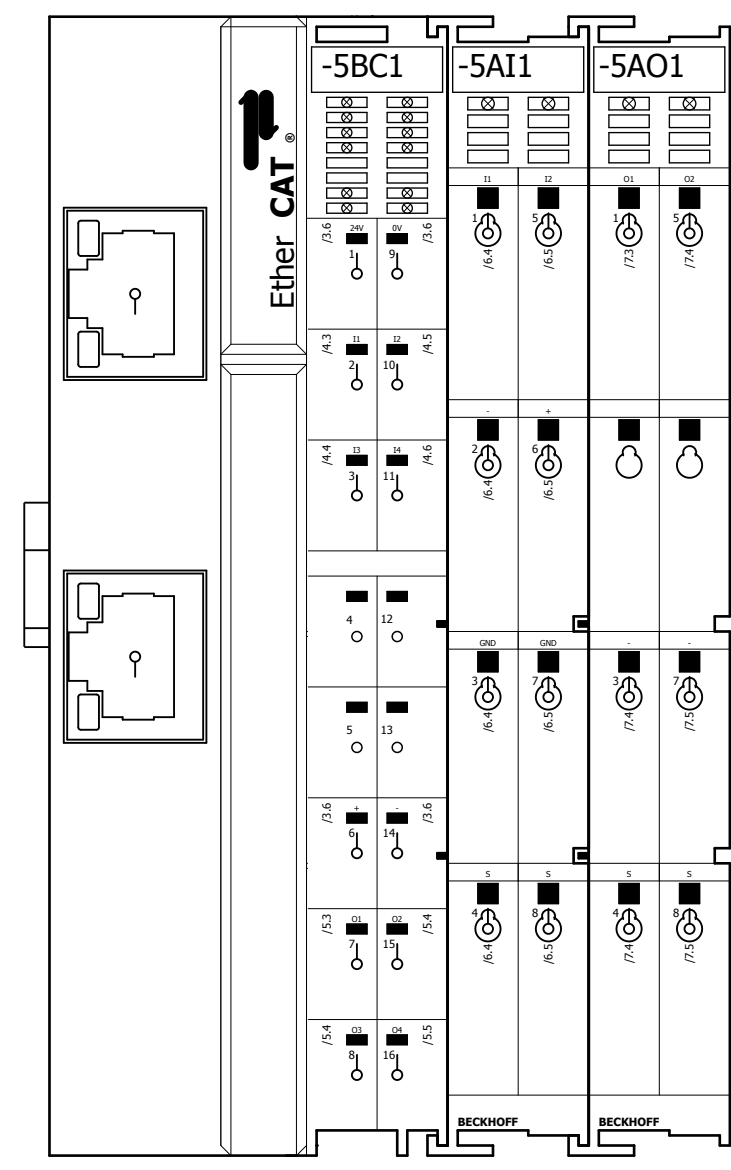
2019 / 1

Sayfa 1

Toplam 8



PASSWORD : 1111 FOREMAN
1234 AUTHORIZED



Tarih	02.08.2019
Kyt.	Proje
Apr.	
Orjinal	

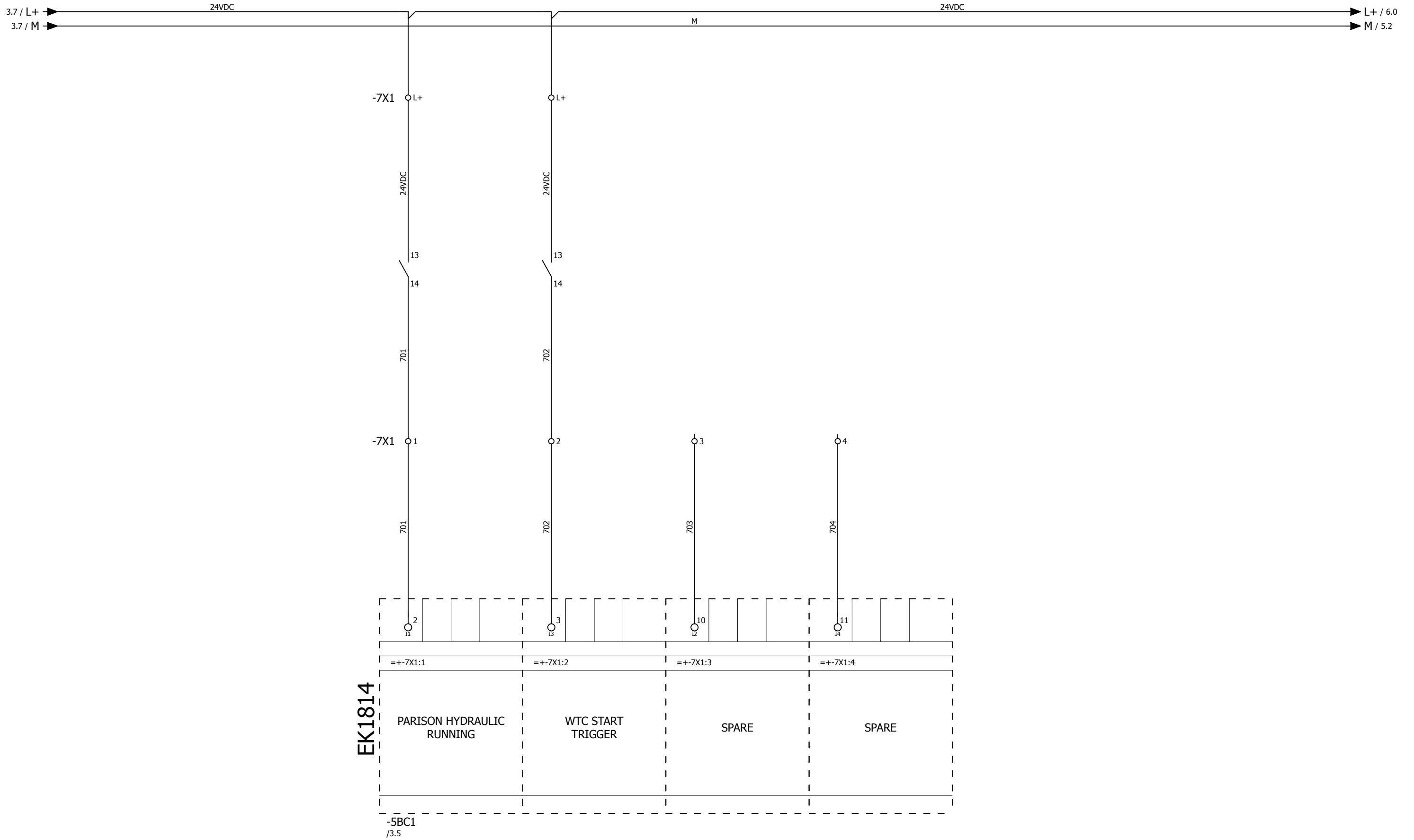
PARISON CONTROLLER
PARISON CONTROLLER



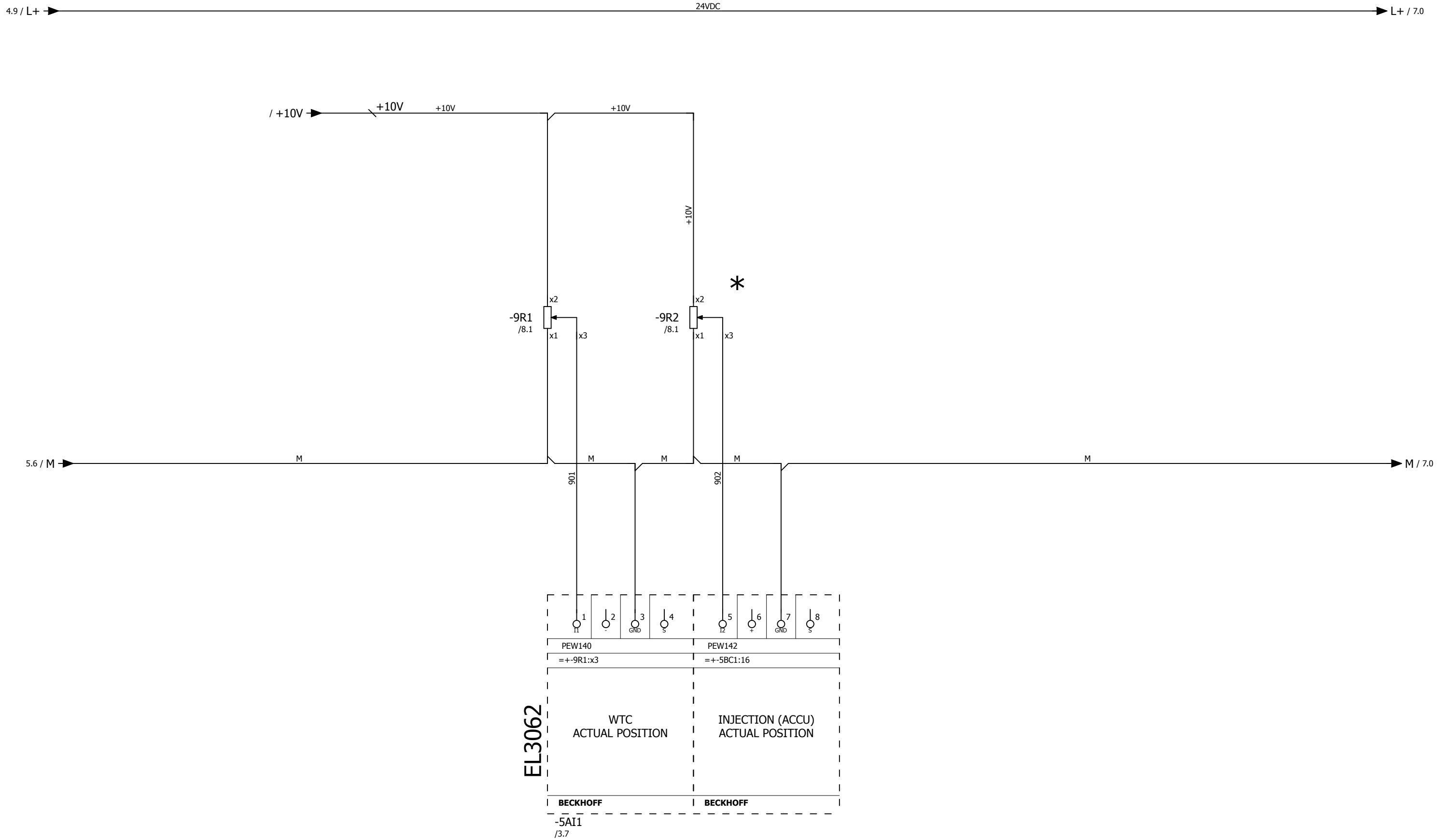
PANEL & PLC SUPPLY CONNECTIONS

Proje Sorumlusu Onay

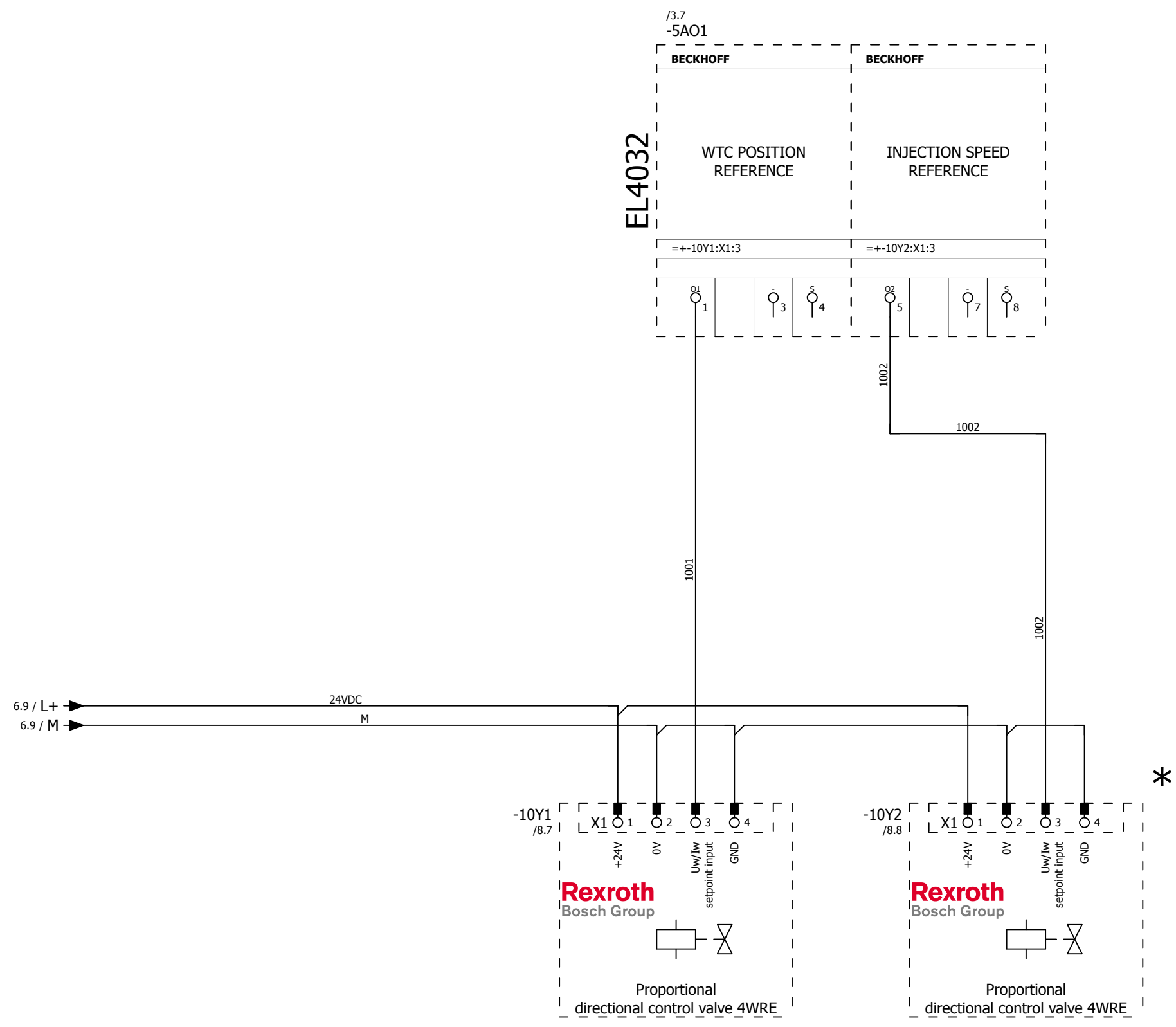
=	
+	
2019 / 1	Sayfa 3
	Toplam 8



			Tarih	02.08.2019	PARISON CONTROLLER PARISON CONTROLLER		DIGITAL INPUT BYTE CONNECTIONS	Proje Sorumlusu Onay		=		
			Kyt.	Proje								
			Apr.									
			Orjinal									
								2019 / 1	Sayfa	4		
									Toplam	8		

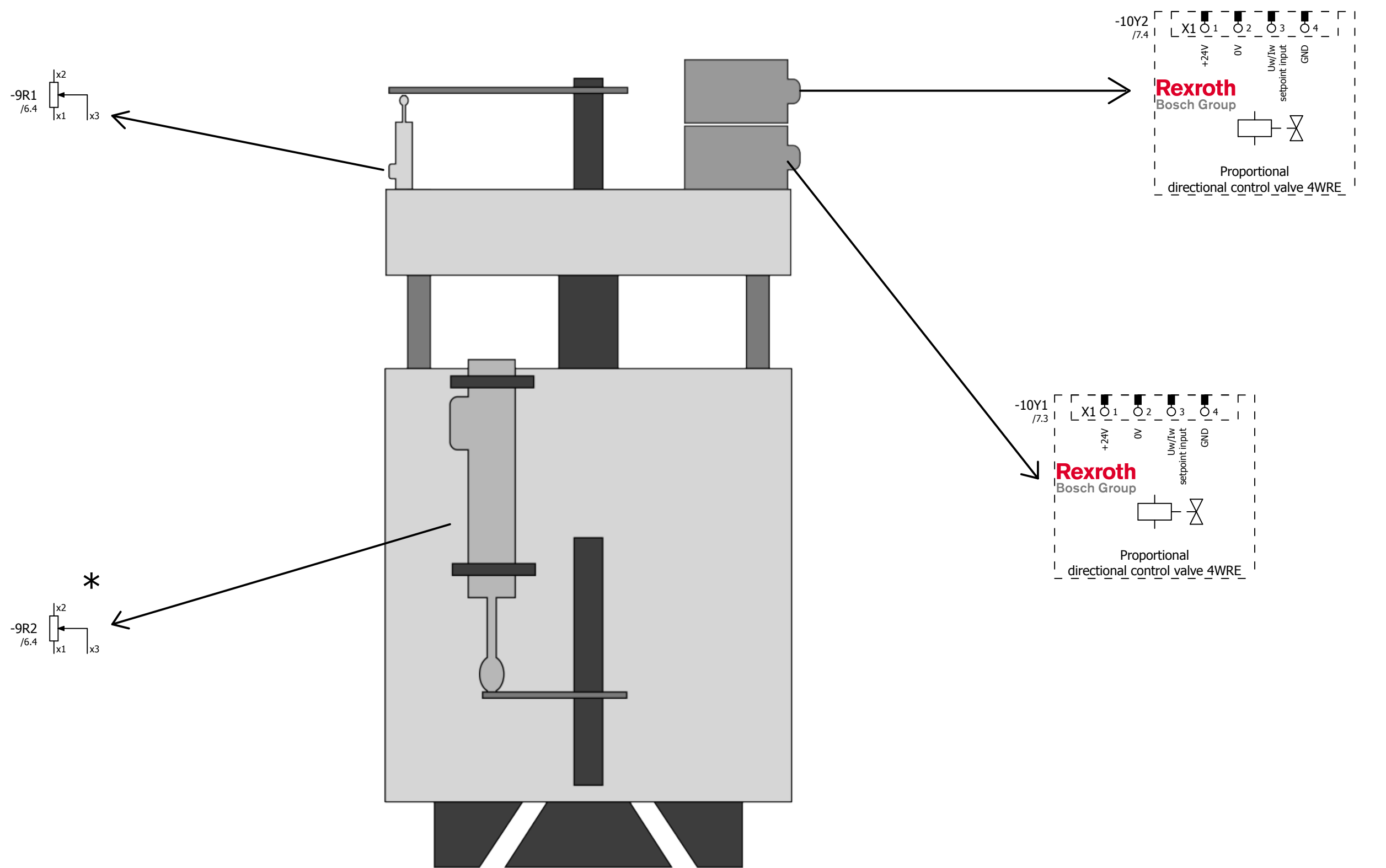


* WHEN ACCU HEAD (INJECTION) MOD SELECTED



* WHEN ACCU HEAD (INJECTION) MOD SELECTED

Tarih	02.08.2019	PARISON CONTROLLER PARISON CONTROLLER		ANALOG OUTPUT BYTE CONNECTIONS		Proje Sorumlusu Onay		=	
Kyt.	Proje							+	
Apr.								2019 / 1	Sayfa 7
Orjinal									Toplam 8



* WHEN ACCU HEAD (INJECTION) MOD SELECTED

			Tarih	02.08.2019	PARISON CONTROLLER PARISON CONTROLLER		PARISON PRINCIPAL	Proje Sorumlusu Onay		=		
			Kyt.	Proje						+		
			Apr.							2019 / 1		Sayfa 8
			Orjinal									Toplam 8